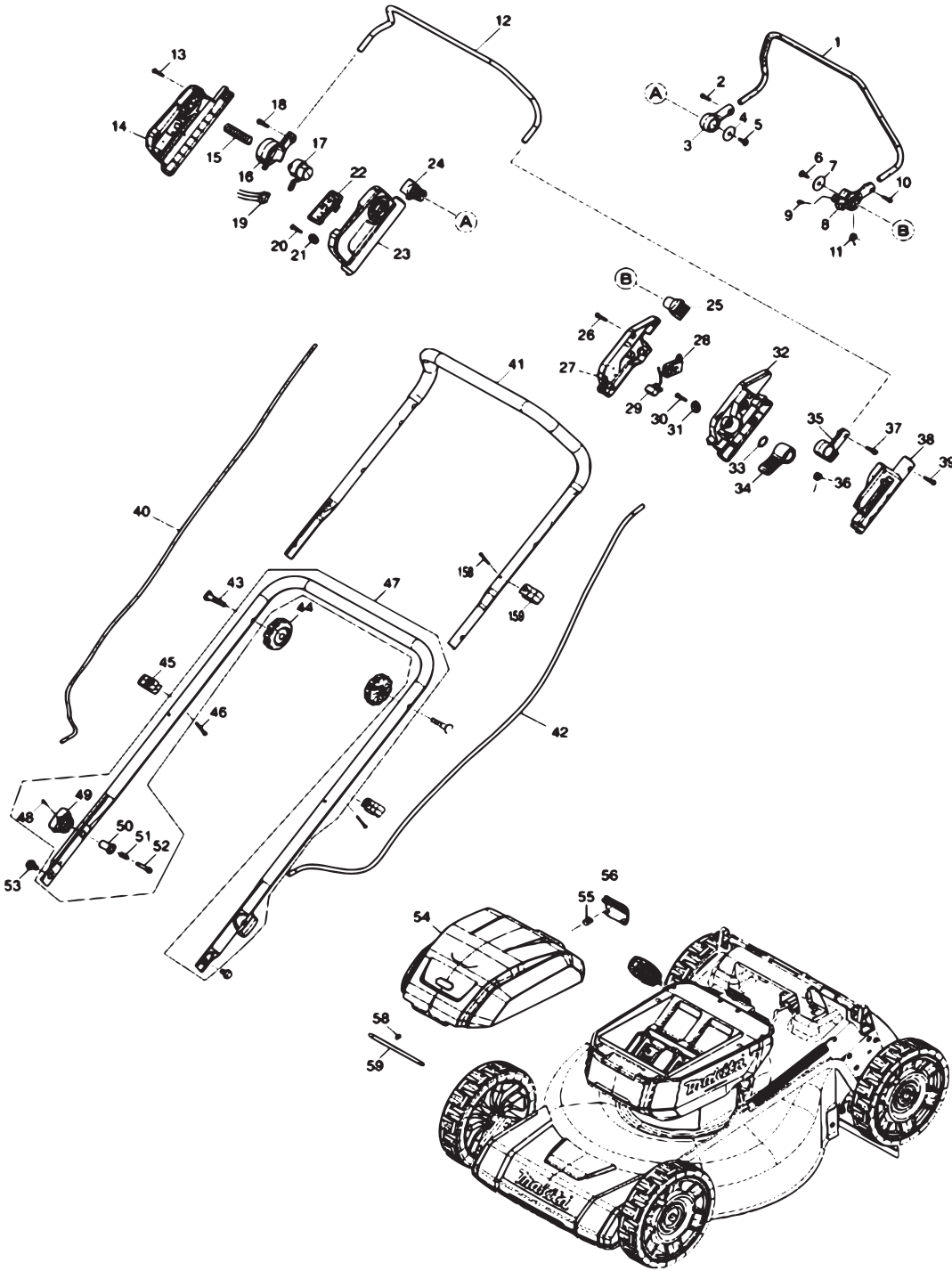




GML01



Products with multiple versions are listed in subsiding order with the newest version on top not indented.

Section	Fig. No.	Part No.	Description	GML01	Tech Bulletin	Notes
1	1	327425-6	DRIVING LEVER	1		
1	2	911138-5	P.H.SCREW M4X20 WITH WR	1		
1	3	459858-8	DRIVING LEVER SUPPORT R	1		
1	3	931102-0	HEX. NUT M4	1		
1	4	253814-8	FLAT WASHER 8	1		
1	5	265620-9	TAPPING SCREW FLANGE 4X18	1		
1	6	265620-9	TAPPING SCREW FLANGE 4X18	1		
1	7	253814-8	FLAT WASHER 8	1		
1	8	413B10-4	DRIVING LEVER SUPPORT L	1		
1	8	931102-0	HEX. NUT M4	1		
1	9	268225-4	PIN 5	1		
1	10	911138-5	P.H.SCREW M4X20 WITH WR	1		
1	11	232566-4	TORSION SPRING 12	1		
1	12	327424-8	SWITCH LEVER	1		
1	13	266424-2	TAPPING SCREW 4X20	6		
1	14	183X93-7	SWITCH BOX SET	1		Inc. 23
1	15	231227-3	COMPRESSION SPRING 15	1		
1	16	459856-2	SWITCH LEVER SUPPORT R	1		
1		931102-0	HEX. NUT M4	1		Inc with 16
1	17	459857-0	LOCK OFF BUTTON	1		
1	18	911138-5	P.H.SCREW M4X20 WITH WR	1		
1	19	632T11-3	SWITCH UNIT	1		
1	20	266424-2	TAPPING SCREW 4X20	2		
1	21	687123-7	STRAIN RELIEF	1		
1	22	141M31-9	SWITCH CIRCUIT COMPLETE	1		Inc with 22
1		539258-9	SWITCH PLATE ASS'Y	1		Inc with 22
1		266490-9	TAPPING SCREW PT 2X6	3		
1	23	183X93-7	SWITCH BOX SET	1		Inc 14
1	24	413A98-8	DRIVING LEVER HOLDER	1		
1	25	413A98-8	DRIVING LEVER HOLDER	1		
1	26	266424-2	TAPPING SCREW 4X20	5		
1	27	183U35-3	LEVER BOX SET	1		Inc 38
1	28	651083-9	SWITCH C3XA-1PSPM	1		
1	29	620J45-8	DIAL CIRCUIT	1		

Products with multiple versions are listed in subsiding order with the newest version on top not indented.

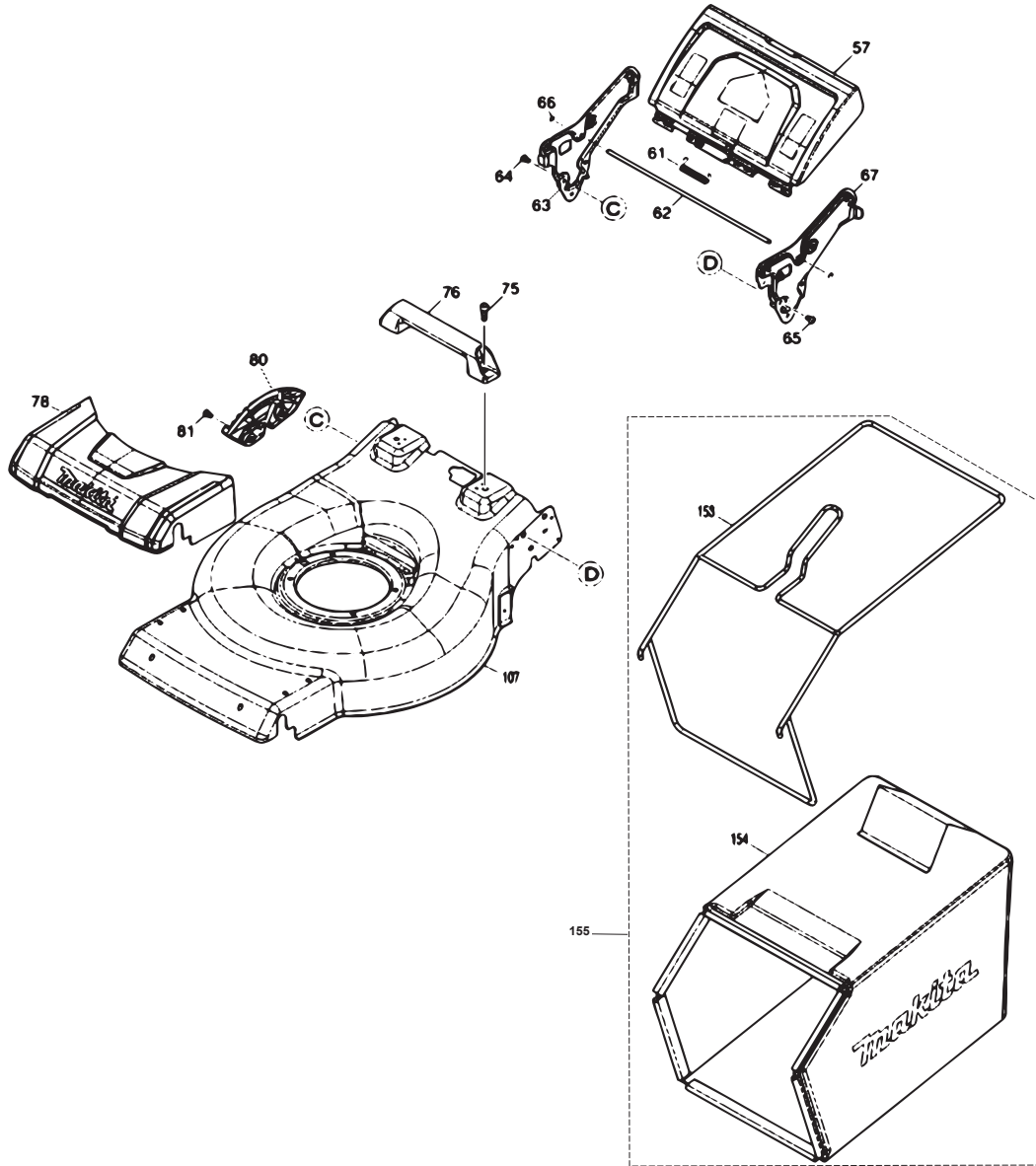
Section	Fig. No.	Part No.	Description	GML01	Tech Bulletin	Notes
1	30	266424-2	TAPPING SCREW 4X20	2		
1	31	687123-7	STRAIN RELIEF	1		
1	32	413A95-4	LEVER BOX C	1		
1	33	213A12-2	O-RING 18	1		
1	34	413B01-5	SPEED LEVER	1		
1	35	459863-5	SWITCH LEVER SUPPORT L	1		
1		931102-0	HEX. NUT M4	1		Inc with 35
1	36	232575-3	TORSION SPRING 12	1		
1	37	911138-5	P.H.SCREW M4X20 WITH WR	1		
1	38	183U35-3	LEVER BOX SET	1		Inc 27
1	39	266424-2	TAPPING SCREW 4X20	5		
1	40	699215-0	POWER SUPPLY CORD UNIT	1		
1	41	327871-3	HANDLE UPPER	1		
1	42	699216-8	POWER SUPPLY CORD UNIT	1		
1	43	265C08-1	FLAT HEAD BOLT M8X50	2		
1	44	265C06-5	THUMB NUT M8	2		
1	45	413L52-8	CLAMP	2		
1		931102-0	HEX. NUT M4	2		Inc with 45
1	46	911168-6	PAN HEAD SCREW M4X40	2		
1	47	122D38-0	HANDLE LOWER ASSEMBLY	1		Inc 48-52
1	48	258004-8	SPRING PIN 2.5-16	2		
1	49	413943-1	KNOB	2		
1	50	327A66-4	LOCK HOLDER	2		
1	51	234121-8	COMPRESSION SPRING 8	2		
1	52	327A65-6	LOCK PIN	2		
1	53	265C07-3	HEX. BOLT M8	2		
1	54	136896-4	BATTERY COVER ASS'Y	1		
1	55	231037-8	COMPRESSION SPRING 7	1		
1	56	459852-0	LOCK LEVER	1		
1	58	961018-5	STOP RING E-5	1		
1	59	327536-7	ROD 6	1		
1	101	922441-9	HEX. SOCKET HEAD BOLT M8X25	4		
1	158	911163-6	PAN HEAD SCREW M4X35	1		
1	159	413944-9	CLAMP	1		
1	159	931102-0	HEX. NUT M4	1		Inc with 159

Products with multiple versions are listed in subsiding order with the newest version on top not indented.

Section	Fig. No.	Part No.	Description	GML01	Tech Bulletin	Notes
2	68	266424-2	TAPPING SCREW 4X20	3		
2	69	183X12-3	TERMINAL HOUSING SET	1		Inc 71
2		263005-3	RUBBER PIN 6	4		Inc with 69
2	70	632T08-2	TERMINAL UNIT	2		
2	71	183X12-3	TERMINAL HOUSING SET	1		Inc 69
2		263005-3	RUBBER PIN 6	4		Inc with 71
2	72	266424-2	TAPPING SCREW 4X20	4		
2	84	266424-2	TAPPING SCREW 4X20	6		
2	85	687123-7	STRAIN RELIEF	2		
2	86	687051-6	STRAIN RELIEF	3		
2	90	687124-5	STRAIN RELIEF	1		
2	92	413L30-8	INNER PLATE	1		
2	93	620J46-6	LED CIRCUIT	1		
2	94	539252-1	CONTROLLER ASS'Y	1		Inc 70, 100
2	95	141M28-8	COWLING COVER COMPLETE	1		
2	97	413L22-7	COWLING UPPER	1		
2	98	413L21-9	COWLING LOWER	1		
2	99	911233-1	PAN HEAD SCREW M5X20	4		
2	100	652031-1	PAN HEAD SCREW M3X6	4		
2	103	266424-2	TAPPING SCREW 4X20	4		
2	104	266424-2	TAPPING SCREW 4X20	4		
2	105	266424-2	TAPPING SCREW 4X20	2		
2	108	422956-1	SPONGE	1		
2	160	141M30-1	STATOR BASE COMPLETE	1		
2	161	253455-0	WAVE WASHER 19	1		
2	162	620J44-0	CONTROLLER B	1		
2	163	265C89-5	FLAT HEAD SCREW M3X10	3		
2	164	629B84-7	STATOR	1		
2	165	911148-2	PAN HEAD SCREW M4X25	6		
2	166	210059-1	BALL BEARING 6000DDW	1		
2	167	519785-2	ROTOR ASS'Y	1		Inc 166,168
2	168	211332-2	BALL BEARING 6004LLU	1		
2	169	422955-3	GROMMET	2		
2	171	312D43-7	BRACKET	1		

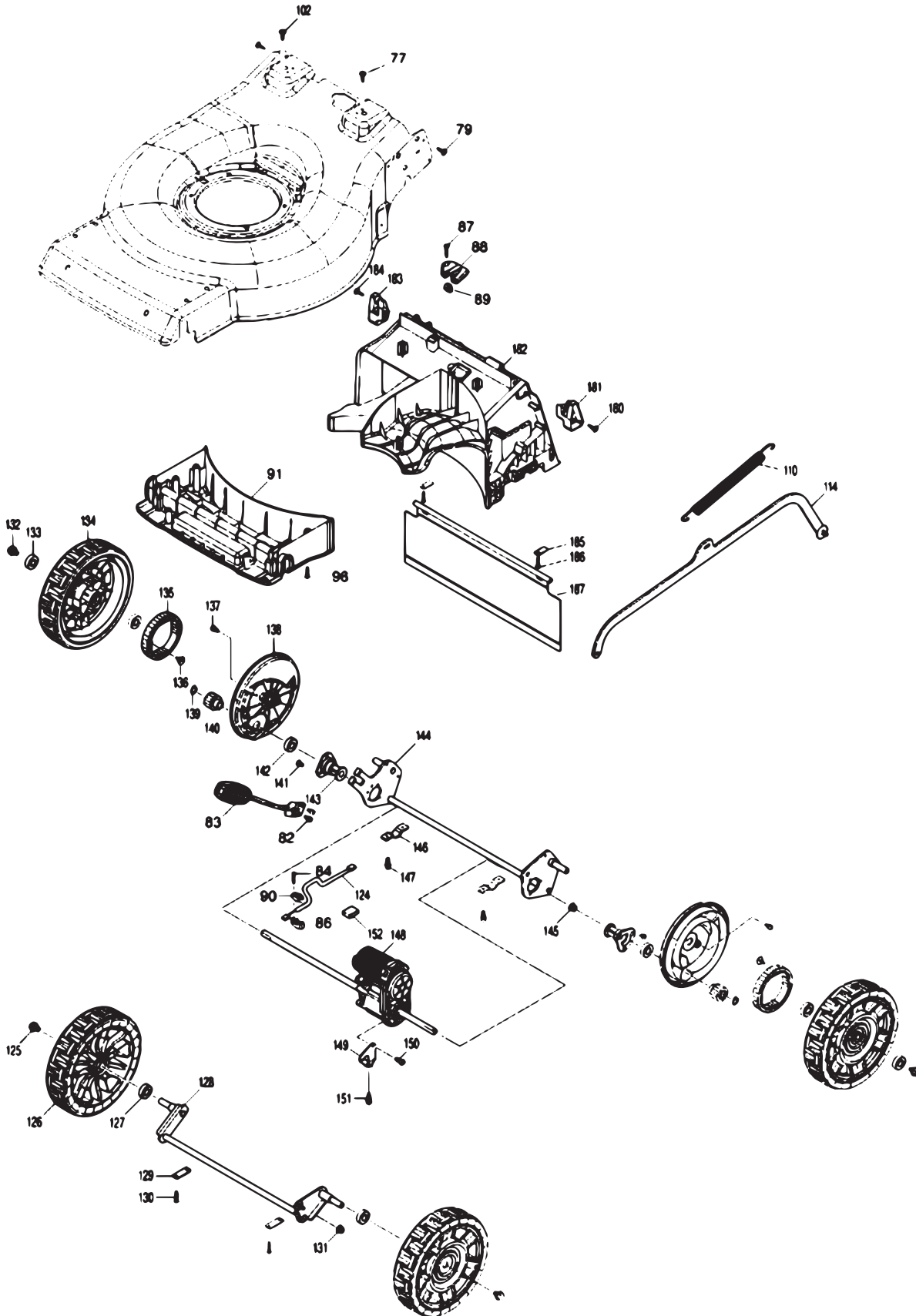
Products with multiple versions are listed in subsiding order with the newest version on top not indented.

Section	Fig. No.	Part No.	Description	GML01	Tech Bulletin	Notes
2	172	911233-1	PAN HEAD SCREW M5X20	4		
2	173	413L53-6	BAFFLE PLATE	1		
2	174	911126-2	PAN HEAD SCREW M4X16	4		
2	175	240205-2	FAN 170	1		
2	176	312D48-7	BLADE SUPPORT 530	1		
2	177	266424-2	TAPPING SCREW 4X20	2		
2	178	191V96-5	BLADE 530 SET (STANDARD 3-1 BLADE)	1		Standard Equipment on Z and SM versions
2	178B	191W87-2	BLADE 530 SET (HIGH LIFT BLADE)	1		Standard Equipment on PL version
2	178C	191Y65-4	BLADE 530 SET (MULCHING BLADE)	1		ACCESSORY ONLY
2	179	265A69-9	HEX. BOLT M10X35 WITH WG	1		
2	E01	632P90-7	FUSE UNIT	1		



Products with multiple versions are listed in subsiding order with the newest version on top not indented.

Section	Fig. No.	Part No.	Description	GML01	Tech Bulletin	Notes
3	57	141M23-8	REAR FLAP COMPLETE	1		
3	61	232721-8	TORSION SPRING 8	1		
3	62	327A64-8	ROD 6	1		
3	63	347A56-1	HANDLE BRACKET R	1		
3	64	265B20-5	HEX.SOCKET BUTTON HEAD BOLT M8	3		
3	65	265B20-5	HEX.SOCKET BUTTON HEAD BOLT M8	3		
3	66	961018-5	STOP RING E-5	2		
3	67	347A55-3	HANDLE BRACKET L	1		
3	75	922441-9	HEX. SOCKET HEAD BOLT M8X25	2		
3	76	413L42-1	REAR GRIP	1		
3	78	413L33-2	FRONT COVER	1		
3	80	413L45-5	HEIGHT ADJUST PLATE	1		
3	81	265B20-5	HEX.SOCKET BUTTON HEAD BOLT M8	2		
3	107	141S44-6	DECK COMPLETE	1		
3	153	162C45-5	FRAME	1		
3	154	162C14-6	BAG	1		
3	155	122B19-2	GRASS CATCHER ASSEMBLY	1		



Products with multiple versions are listed in subsiding order with the newest version on top not indented.

Section	Fig. No.	Part No.	Description	GML01	Tech Bulletin	Notes
4	77	265620-9	TAPPING SCREW FLANGE 4X18	2		
4	79	265620-9	TAPPING SCREW FLANGE 4X18	7		
4	82	922311-2	HEX. SOCKET HEAD BOLT M6X12	2		
4	83	162B98-8	HEIGHT ADJUST LEVER COMPLETE	1		
4	84	266424-2	TAPPING SCREW 4X20	6		
4	86	687051-6	STRAIN RELIEF	3		
4	87	266424-2	TAPPING SCREW 4X20	1		
4	88	413L50-2	LEAD COVER	1		
4	89	422526-6	GROMMET	1		
4	90	687124-5	STRAIN RELIEF	1		
4	91	413L35-8	DECK UNDER COVER F	1		
4	96	266424-2	TAPPING SCREW 4X20	6		
4	102	265620-9	TAPPING SCREW FLANGE 4X18	1		
4	110	232628-8	TENSION SPRING 16	1		
4	114	347A58-7	CONNECTING ROD	1		
4	124	699213-4	POWER SUPPLY CORD UNIT	1		
4	125	265324-3	HEX. FLANGE HEAD BOLT M8X12	2		
4	126	141M25-4	TIRE 230 COMPLETE	2		
4	127	211131-2	BALL BEARING 6001DDW	2		
4	127	210163-6	BALL BEARING 6001DDW	2		
4	128	162C00-7	FRONT SHAFT	1		
4	129	347869-4	PLATE	2		
4	130	266424-2	TAPPING SCREW 4X20	4		
4	131	252301-4	HEX. FLANGE LOCK NUT M6-10	1		
4	132	265324-3	HEX. FLANGE HEAD BOLT M8X12	2		
4	133	211131-2	BALL BEARING 6001DDW	4		
4	133	210163-6	BALL BEARING 6001DDW	4		
4	134	141M26-2	TIRE 230 COMPLETE	2		
4	135	227913-2	SPUR GEAR 49	2		
4	136	265B00-1	TAPPING SCREW FLANGE 4X12	4		
4	137	911213-7	PAN HEAD SCREW M5X12	4		
4	138	413L40-5	WHEEL CAP	2		
4	139	961052-5	RETAINING RING (EXT) S-12	2		
4	140	227A00-3	SPUR GEAR 12	2		
4	141	251951-2	HEX. SOCKET HEAD BOLT M5X10	6		

Products with multiple versions are listed in subsiding order with the newest version on top not indented.

Section	Fig. No.	Part No.	Description	GML01	Tech Bulletin	Notes
4	142	211131-2	BALL BEARING 6001DDW	2		
4	142	210163-6	BALL BEARING 6001DDW	2		
4	143	313390-5	REAR SHAFT HOLDER	2		
4	144	162C02-3	REAR SHAFT	1		
4	145	252301-4	HEX. FLANGE LOCK NUT M6-10	1		
4	146	347865-2	CLAMP 19	2		
4	147	922223-9	H.S.H.BOLT M5X16 WITH WR	4		
4	148	122E54-8	DRIVE UNIT	1		
4	149	347A59-5	BRACKET	1		
4	150	266388-0	TAPPING SCREW 5X16	2		
4	151	922223-9	H.S.H.BOLT M5X16 WITH WR	1		
4	152	683A20-1	POLYOLEFIN TUBE	1		
4	180	265620-9	TAPPING SCREW FLANGE 4X18	1		
4	181	183X16-5	GRASS GUARD SET	1		Inc 183
4	182	413L37-4	DECK UNDER COVER R	1		
4		252329-2	SQUARE NUT M5	5		Inc with 182
4	183	183X16-5	GRASS GUARD SET	1		Inc 181
4	184	265620-9	TAPPING SCREW FLANGE 4X18	1		
4	185	346545-7	PLATE	2		
4	186	266424-2	TAPPING SCREW 4X20	2		
4	187	422758-5	PROTECTIVE SHIELD	1		
4	A01	327589-6	ROD 6	1		Not Pictured
4	A02	413L55-2	MULCHING PLUG 530	1		Not Pictured
4	A03	413L57-8	DISCHARGE CHUTE	1		Not Pictured
4	A04	782210-8	SOCKET WRENCH 17	1		Not Pictured